
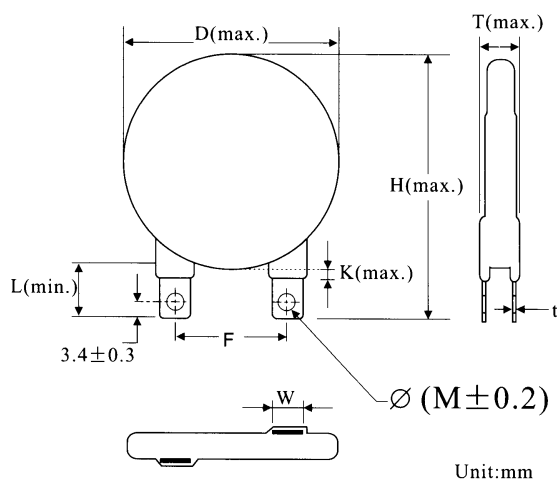


### 32D Specification

VCR  Φ32mm	Maximum Allowable Voltage		Varistor Voltage		Clamping Voltage (Max.)		Maximum Peak Current (8/20μs)		Maximum Energy (10/1000μs)	Typical Capacitance (Reference)	
	AC.rms (V)	DC (V)	V1.0mA (V)		VC (V)	IP (A)	In. 10 times (KA)	I Max (KA)	JOULE	@1KHz (pf)	
			min.	max.							
32D201K	130	170	185	225	340	200	15	30	250	5200	*
32D241K	150	200	216	264	395				290	5100	*
32D271K	175	225	243	297	455				300	4800	*
32D301K	190	250	270	330	500				330	4500	*
32D331K	210	275	297	363	550				360	4300	*
32D361K	230	300	324	396	595				380	3900	*
32D391K	250	320	351	429	650				400	3200	*
32D431K	275	350	387	473	710				430	3100	*
32D471K	300	385	423	517	775				460	2800	*
32D511K	320	415	459	561	845				510	2700	*
32D621K	385	505	558	682	1025				570	2400	*
32D681K	420	560	612	748	1120				600	2200	*
32D751K	460	615	675	825	1240				620	2000	
32D781K	485	640	702	858	1290				660	1900	*
32D821K	510	670	738	902	1355				700	1800	*
32D911K	550	745	819	1001	1500				750	1300	*
32D951K	575	765	855	1045	1570				780	1200	*
32D102K	625	825	900	1100	1650				810	1100	*
32D112K	680	895	990	1210	1815				910	1000	*
32D122K	750	990	1080	1320	1980				960	920	*


### Dimensions



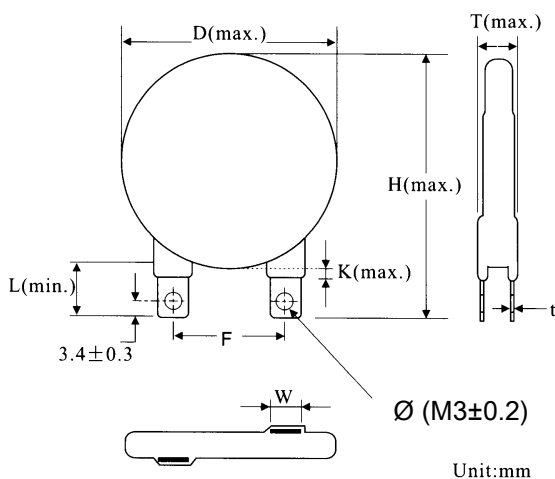
D (max.)	35
H (max.)	56.3
T (max.)	Ref.Tab1
F (±1.0)	25.4
t (±0.1)	0.5
L (min.)	16.5
K (max.)	3.18
W (±0.5)	7
Ø (M±0.2)	3.8

Model	T (max.)	Model	T (max.)
201K	6.4	681K	9.5
221K	6.6	751K	10.0
241K	6.7	781K	10.2
271K	6.9	821K	10.8
301K	7.1	911K	11.2
331K	7.3	951K	11.0
361K	7.6	102K	11.2
391K	7.8	112K	12.3
431K	8.0	122K	13.0
471K	8.3	142K	14.3
511K	8.7	162K	13.3
621K	9.4		

### 40D Specification

VCR	Maximum Allowable Voltage		Varistor Voltage		Clamping Voltage (Max.)		Maximum Peak Current (8/20μs)		Maximum Energy (10/1000μs)	Typical Capacitance (Reference)	
	Φ40mm	AC.rms	DC	V1.0mA		VC	IP	In			
		(V)	(V)	min.	max.	(V)	(A)	(KA)		JOULE	
40D201K	130	170	185	225	340	250	20	45	400	6750	*
40D221K	140	180	198	242	360				450	6400	*
40D241K	150	200	222	270	395				480	5650	*
40D271K	180	225	256	310	455				540	5100	*
40D301K	190	250	270	330	500				600	4510	*
40D331K	210	275	297	363	550				656	4150	*
40D361K	230	300	324	396	595				745	3750	*
40D391K	250	320	362	440	650				830	3500	*
40D431K	275	350	387	473	710				920	2950	*
40D471K	300	385	423	517	775				1000	2880	*
40D511K	320	415	459	561	845				1060	2650	*
40D561K	350	460	504	616	925				1150	2450	*
40D621K	385	505	558	682	1025				1250	2200	*
40D681K	420	560	612	748	1120				1250	2000	*
40D751K	460	615	675	825	1240				1280	1820	*
40D781K	485	640	702	858	1290				1350	1750	*
40D821K	510	670	738	902	1355				1395	1650	*
40D911K	550	745	819	1001	1500				1475	1500	*
40D951K	575	760	855	1045	1570				1485	1430	*
40D102K	625	825	900	1100	1650				1550	1350	*
40D112K	680	895	990	1210	1815	1700	1230	*			
40D122K	750	980	1150	1320	1980	1750	1135	*			
40D142K	850	1120	1315	1540	2310	1750	970				

### Dimensions




D (max.)	42
H (max.)	60.2
T (max.)	Ref.Tab1
F (±1.0)	25.4
t (±0.1)	0.5
L (min.)	16.5
K (max.)	5
W (±0.5)	7
Ø (M3±0.3)	3.5

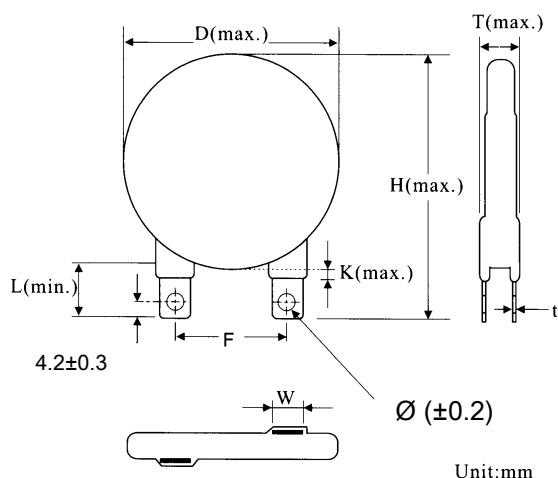
Tab1.

Model	T (max.)	Model	T (max.)
201K	6.4	621K	9.4
221K	6.6	681K	9.5
241K	6.7	751K	10.0
271K	6.9	781K	10.2
301K	7.1	821K	10.8
331K	7.3	911K	11.2
361K	7.6	951K	11.0
391K	7.8	102K	11.2
431K	8.0	112K	12.3
471K	8.3	122K	13.0
511K	8.7	142K	14.3
561K	9.0		

### 53D Specification

VCR  Φ53mm	Maximum Allowable Voltage		Varistor Voltage		Clamping Voltage (Max.)		Maximum Peak Current (8/20μs)		Maximum Energy (10/1000μs)	Typical Capacitance (Reference)	
	AC.rms (V)	DC (V)	V1.0mA (V)		VC (V)	IP (A)	In.10 times (KA)	I Max	JOULE	@1KHz (pf)	
			min.	max.							
53D201K	130	170	185	225	340	500	30	60	600	12000	
53D221K	140	180	198	242	360				675	11400	
53D241K	150	200	216	264	395				720	10060	*
53D271K	175	225	243	297	455				810	9080	*
53D301K	190	250	270	330	500				900	8030	*
53D331K	210	275	297	363	550				990	7400	*
53D361K	230	300	324	396	595		1120	6680	*		
53D391K	250	320	351	429	650		1250	6250	*		
53D431K	275	350	387	473	710		1380	5250	*		
53D471K	300	385	423	517	775		1500	5125	*		
53D511K	320	415	459	561	845		1590	4720	*		
53D561K	350	460	504	616	925		1725	4360	*		
53D621K	385	505	558	682	1025		1880	3920	*		
53D681K	420	560	612	748	1120		1880	3560	*		
53D751K	460	615	675	825	1240		1920	3240	*		
53D781K	485	640	702	858	1290		2025	3120	*		
53D821K	510	670	738	902	1355		2100	2940	*		
53D911K	550	745	819	1001	1500		2215	2670	*		
53D951K	575	765	855	1045	1570		2230	2550	*		
53D102K	625	825	900	1100	1650		2325	2400	*		
53D112K	680	895	990	1210	1815	2550	2200	*			
53D122K	750	980	1150	1320	1980	2625	2020	*			
53D142K	880	1120	1315	1540	2310	2625	1730				
53D162K	1000	1320	1550	1760	2640	3000	1500				

### Dimensions



D (max.)	60
H (max.)	78.2
T (max.)	Ref. Tab1
F (±0.5)	25.4
t (±0.1)	0.7
L (min.)	16.5
K (max.)	3.18
W (±0.5)	9.7
Ø (±0.2)	4.3

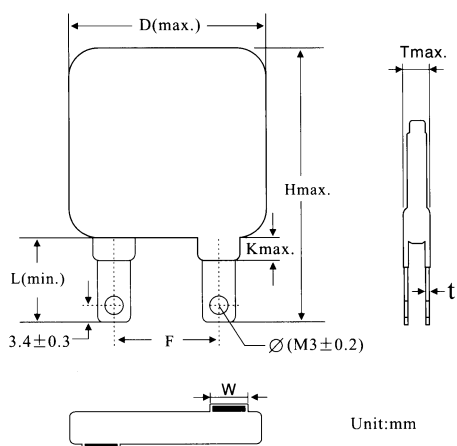
Tab1.

Model	T (max.)	Model	T (max.)
201K	6.4	621K	9.4
221K	6.6	681K	9.5
241K	6.7	751K	10.0
271K	6.9	781K	10.2
301K	7.1	821K	10.8
331K	7.3	911K	11.2
361K	7.6	951K	11.0
391K	7.8	102K	11.2
431K	8.0	112K	12.3
471K	8.3	122K	13.0
511K	8.7	142K	14.3
561K	9.0		

### 34S Specification

VCR	Maximum Allowable Voltage		Varistor Voltage		Clamping Voltage (Max.)		Maximum Peak Current (8/20μs)		Maximum Peak Current (8/20μs)	Maximum Energy (10/1000μs)	Typical Capacitance (Reference)	
	AC.rms (V)	DC (V)	min.	max.	VC (V)	IP (A)	I <sub>n</sub> (KA)	I <sub>Max</sub> (KA)	i <sub>Max</sub> (KA)	JOULE	@1KHz (pf)	
34S470K	30	38	42	52	93	60	10	20	20	96	35000	*
34S560K	35	45	50	63	110					115	29500	*
34S680K	40	56	61	75	135					136	24200	*
34S820K	50	65	74	90	135					156	17950	*
34S101K	60	85	90	110	165					195	15000	*
34S121K	75	100	108	132	200					235	12200	*
34S151K	95	125	135	165	250	300	15	30	296	10000	*	
34S181K	115	150	162	198	300				350	8250	*	
34S201K	130	170	185	225	340				400	6750	*	
34S221K	140	180	198	242	360				450	6400	*	
34S241K	150	200	222	270	395				480	5650	*	
34S271K	180	225	256	310	455				540	5100	*	
34S301K	190	250	270	330	500				600	4510	*	
34S331K	210	275	297	363	550				656	4150	*	
34S361K	230	300	324	396	595				745	3750	*	
34S391K	250	320	362	440	650				830	3500	*	
34S431K	275	350	387	473	710				920	2950	*	
34S471K	300	385	423	517	775				1000	2880	*	
34S511K	320	415	459	561	845				1060	2650	*	
34S561K	350	460	504	616	925				1150	2450	*	
34S621K	385	505	558	682	1025				1250	2200	*	
34S681K	420	560	612	748	1120				1250	2000	*	
34S751K	460	615	675	825	1240				1280	1820	*	
34S781K	485	640	702	858	1290				1350	1750	*	
34S821K	510	670	738	902	1355	1395	1650	*				
34S911K	550	745	819	1001	1500	1475	1500	*				
34S951K	575	760	855	1045	1570	1485	1430	*				
34S102K	625	825	900	1100	1650	1550	1350	*				
34S112K	680	895	990	1210	1815	1700	1230	*				
34S122K	750	980	1150	1320	1980	1750	1135	*				
34S142K	850	1120	1315	1540	2310	1750	970	*				
34S162K	1000	1320	1550	1760	2640	2000	840					
34S182K	1100	1485	1700	1980	2970	2000	800					

### Dimensions



D (max.)	36
H (max.)	56.6
T (max.)	Ref.Tab1
F (±1.0)	22/25.4
t (±0.1)	0.5
L (min.)	16.5
K (max.)	5
W (±0.5)	6/7
Ø (M3±0.2)	3.8

Tab1.

Model	T (max.)	Model	T (max.)	Model	T (max.)
470K	6.5	331K	7.3	911K	11.2
560K	6.8	361K	7.6	951K	11.0
680K	7.2	391K	7.8	102K	11.2
820K	5.9	431K	8.0	112K	12.3
101K	6.1	471K	8.3	122K	13.0
121K	6.3	511K	8.7	142K	14.3
151K	6.6	561K	9.0	162K	13.3
181K	6.3	621K	9.4	182K	14.2
201K	6.4	681K	9.5		
221K	6.6	751K	10.0		
241K	6.7	781K	10.2		
271K	6.9	821K	10.8		